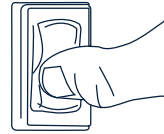


MCH-10ARH

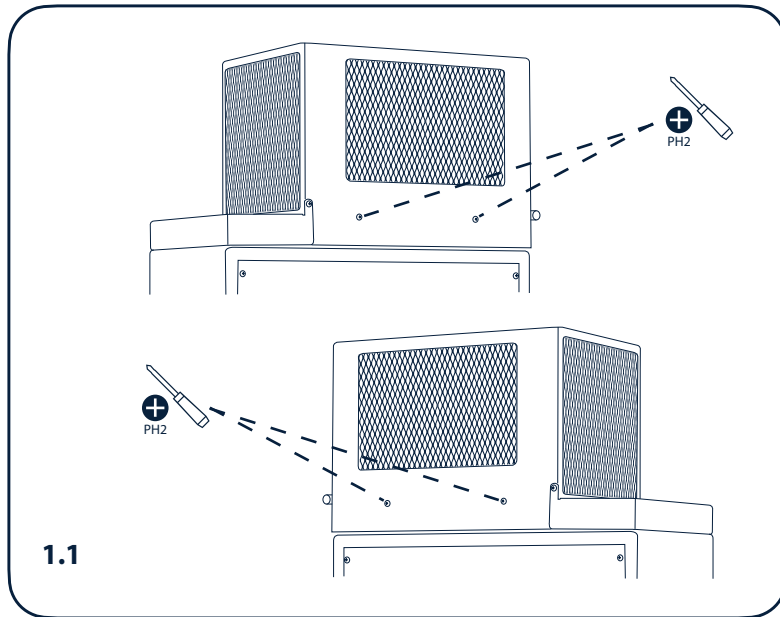
Airflow Redirection Hood™ Installation Guide



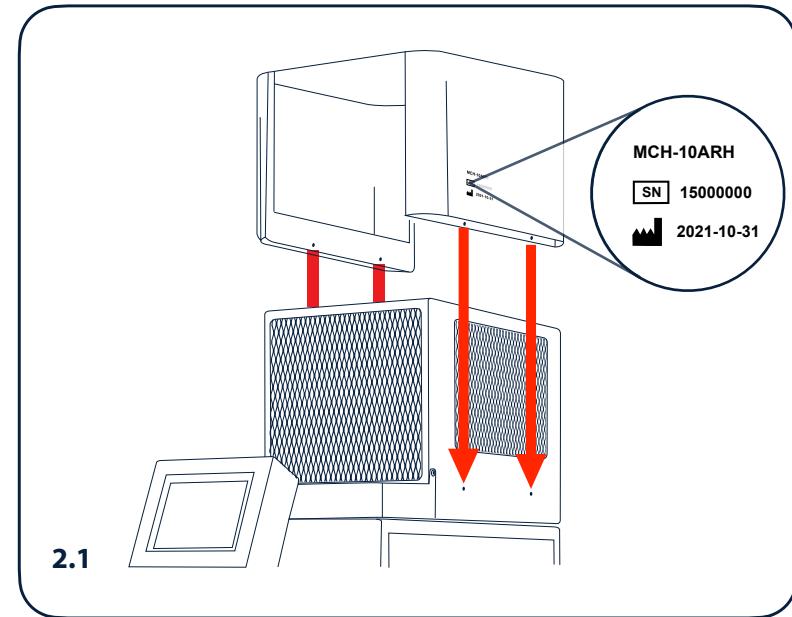
Tools required:



Make sure the Refrigeration Module is unplugged and the green power switch is in the **OFF** position before installing the Airflow Redirection Hood.



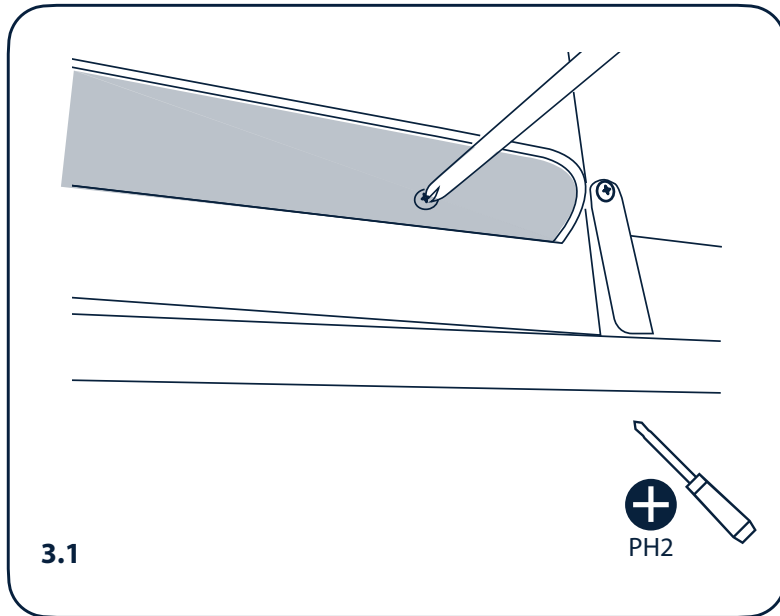
With the Refrigeration Module powered off, use a #2 Phillips screwdriver to remove the four (4) side panel screws from the Refrigeration Module cover (two per side).



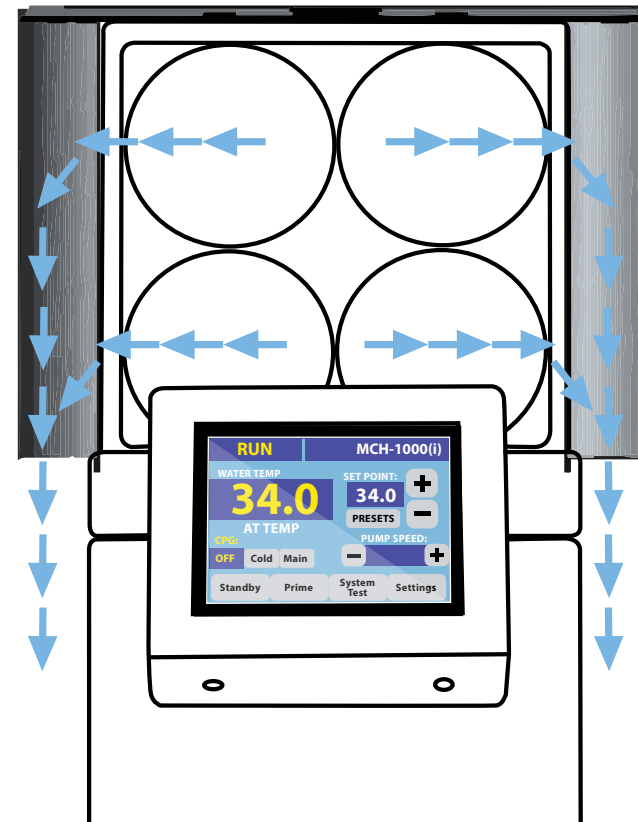
Slide the Airflow Hood down into place on top of the Refrigeration Module. The laser-etched model number/serial number/manufacture date should be placed at the front of the refrigeration module next to the hinged lid. Position the Airflow Redirection Hood so that the holes align with the Refrigeration Module threads.

MCH-10ARH

Airflow Redirection Hood™ Installation Guide



Replace the four side panel screws, ensuring that they thread straight in. The screwdriver will be at a slight angle, so care must be taken to ensure that the screws do not cross-thread. Tighten the screws securely.



When properly installed, the MCH-10ARH redirects exhaust air downward from MCH-10RMS Refrigeration Module.